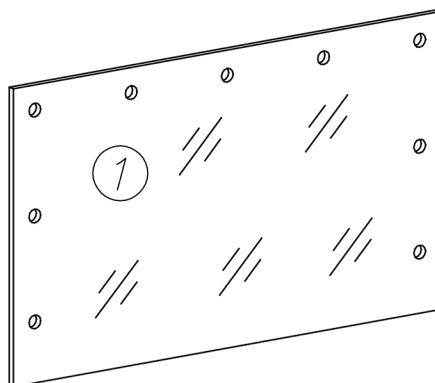
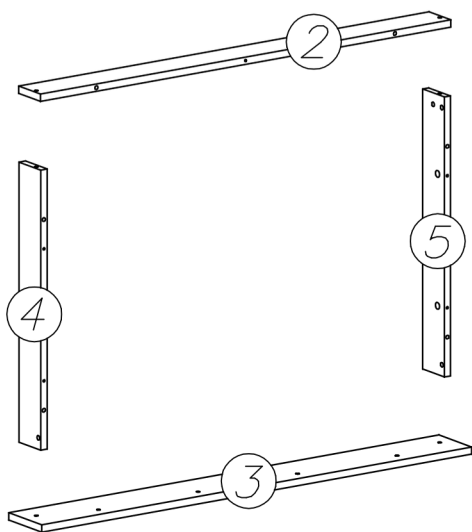
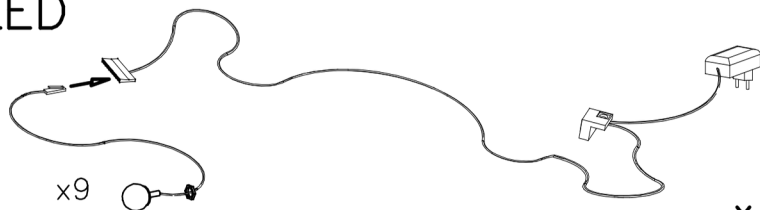


nr	L[mm]	B[mm]	T[mm]	Menge	Colli
1	1100	650	16	1	1/1
2	1055	79	16	1	1/1
3	1104	120	16	1	1/1
4	611	79	16	1	1/1
5	611	79	16	1	1/1



LED



x9


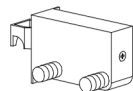
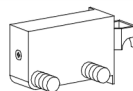


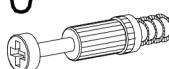
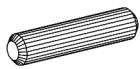
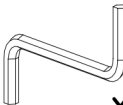


x...(1)

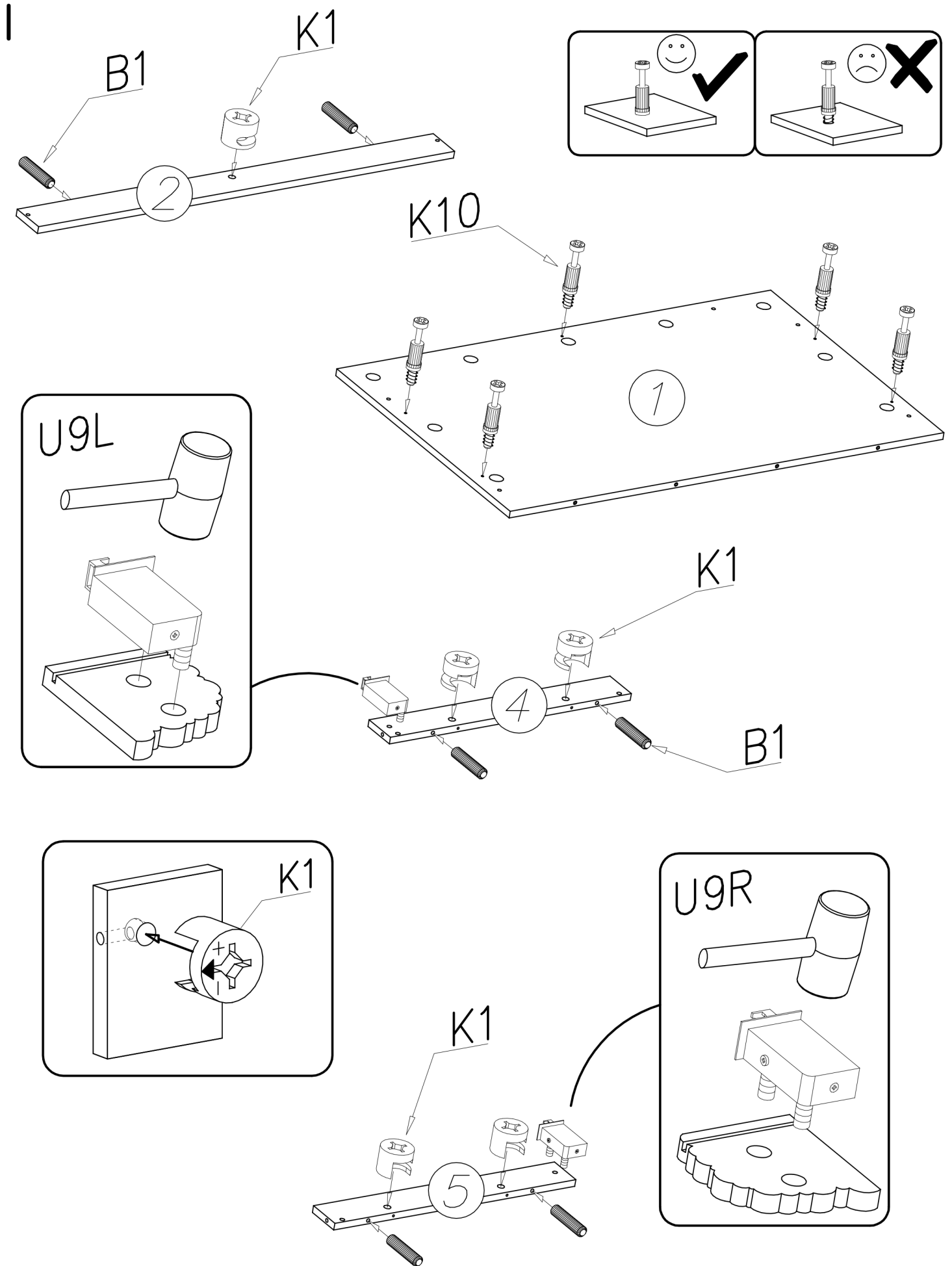
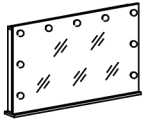
G3

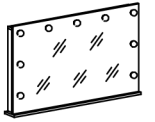


4x30

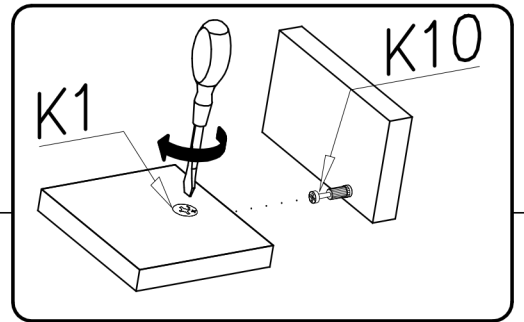
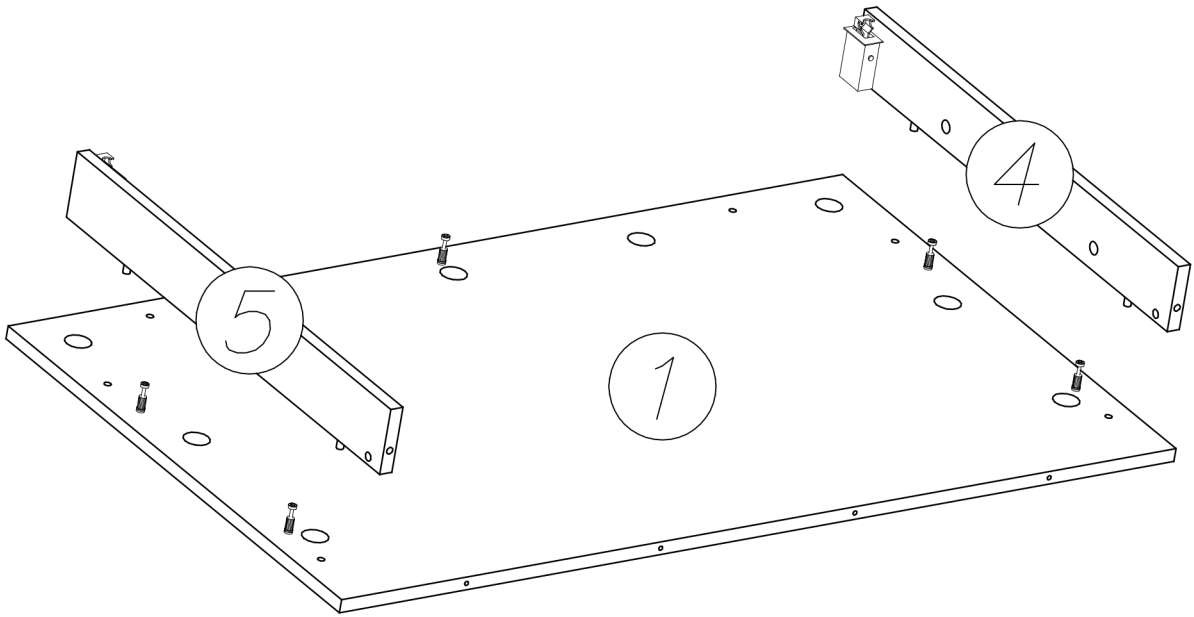
x...(2)

<p>K1</p>  <p>∅15x12 x...(5)</p>	<p>U9L</p>  <p>x...(1)</p>	<p>U9R</p>  <p>x...(1)</p>	<p>I7</p>  <p>∅18 x...(5)</p>	<p>I10</p>  <p>∅10 x...(1)</p>
<p>K10</p>  <p>x...(5)</p>	<p>B1</p>  <p>∅8x35 x...(6)</p>	<p>W2</p>  <p>x...(1)</p>	<p>A1</p>  <p>∅7x50 x...(8)</p>	<p>I9</p>  <p>∅12 x...(8)</p>

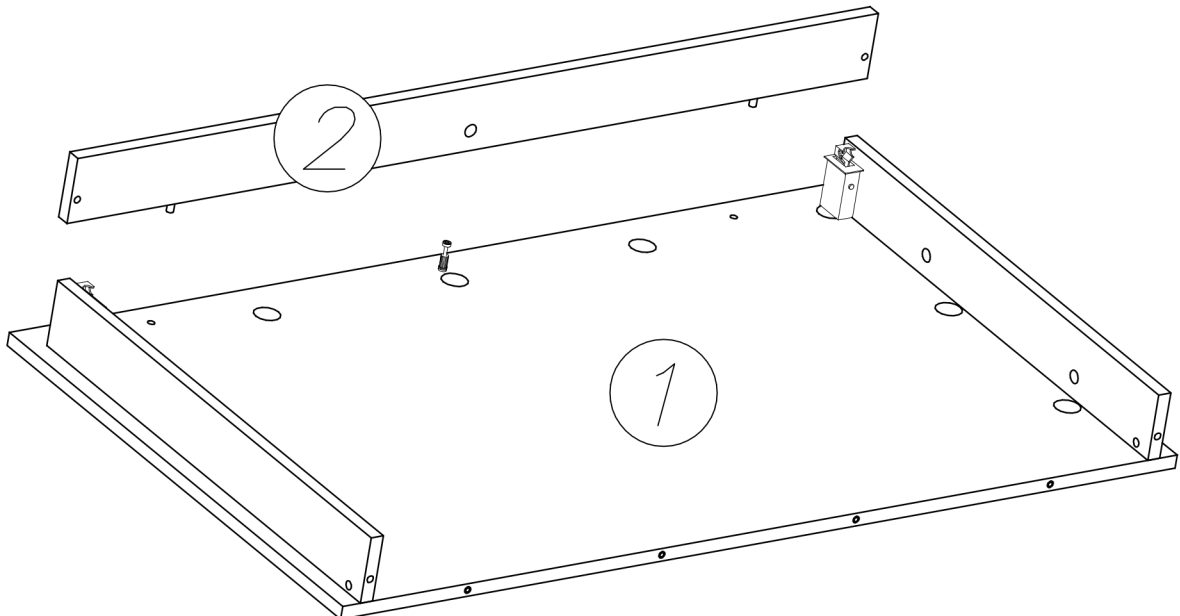


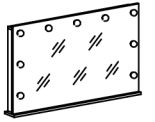


II

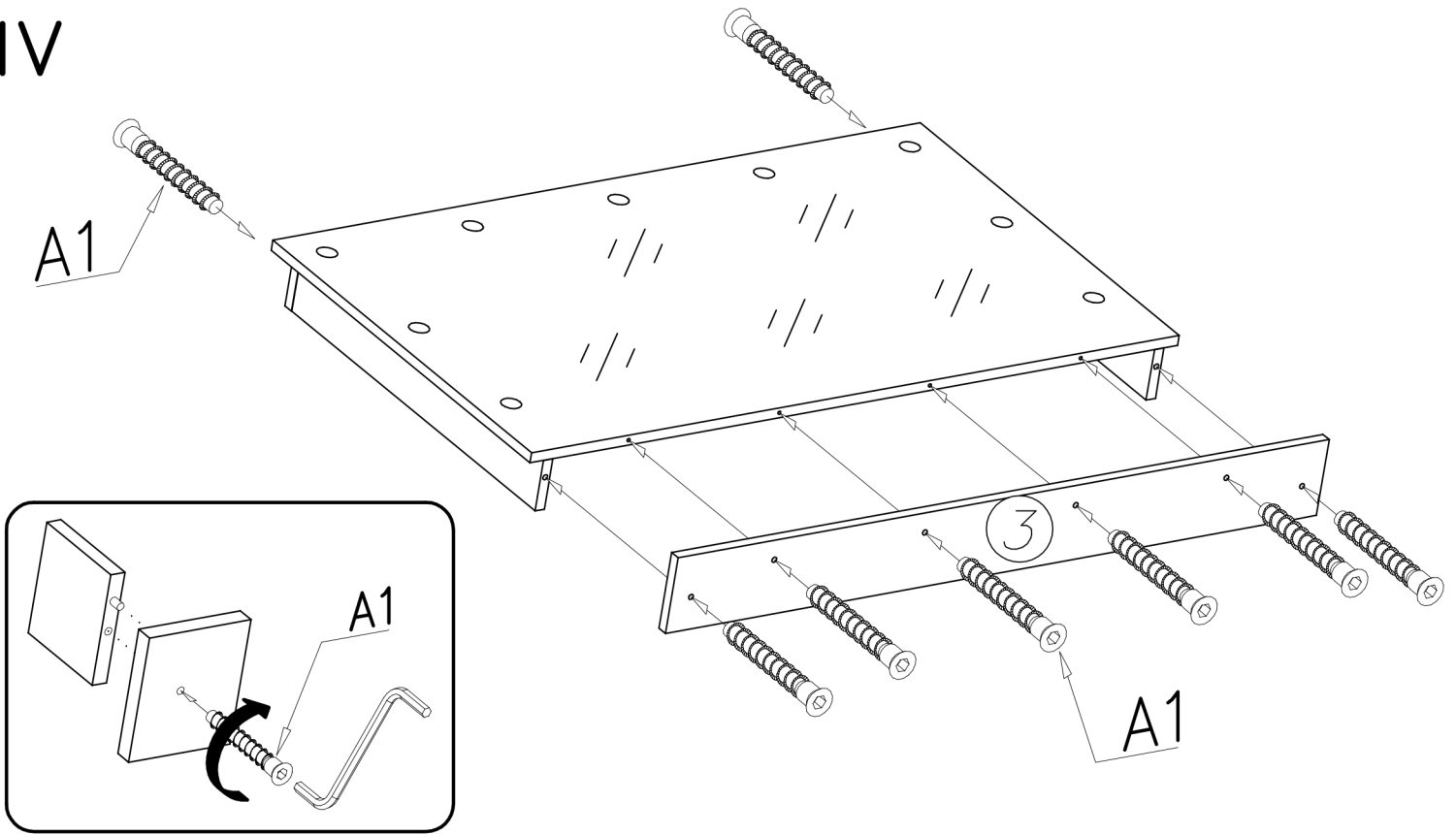


III

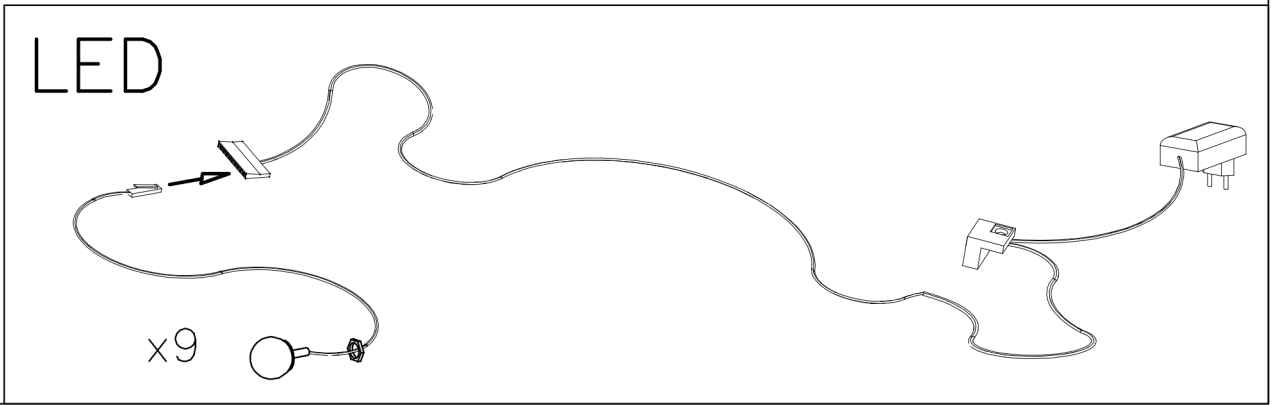
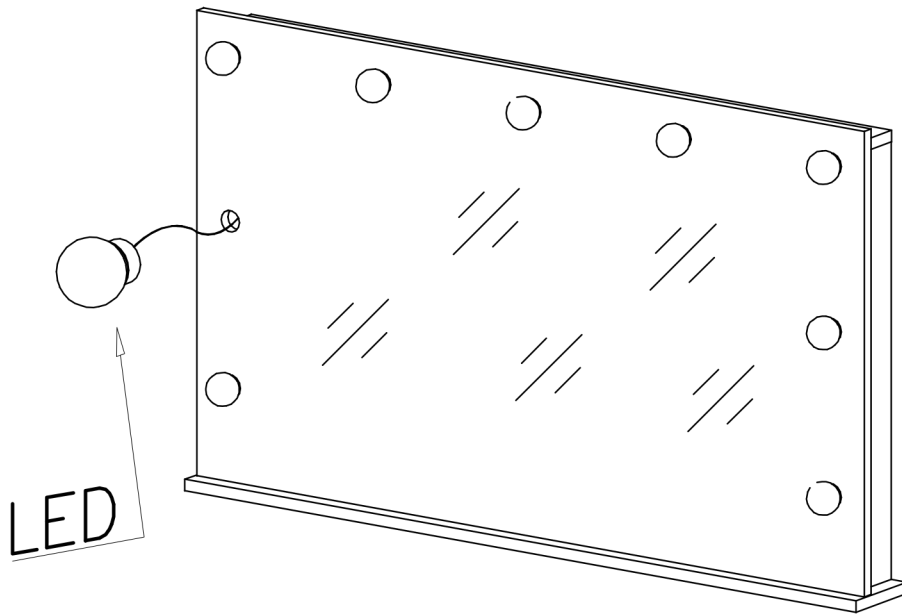


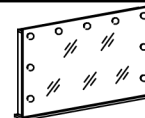


# IV

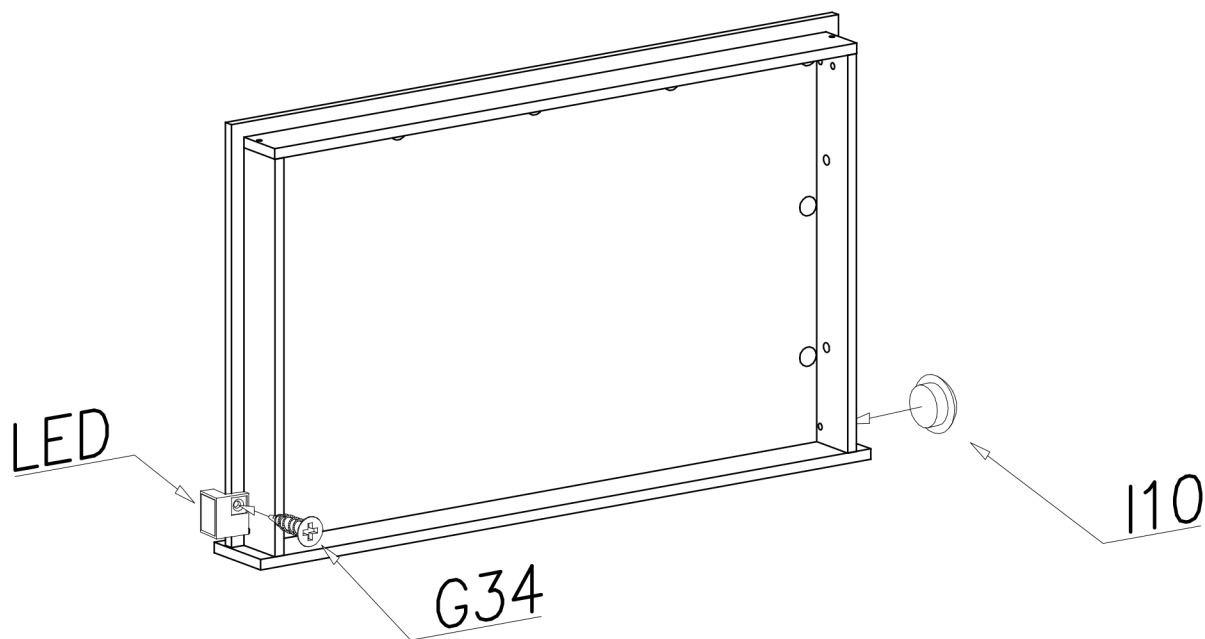


# V



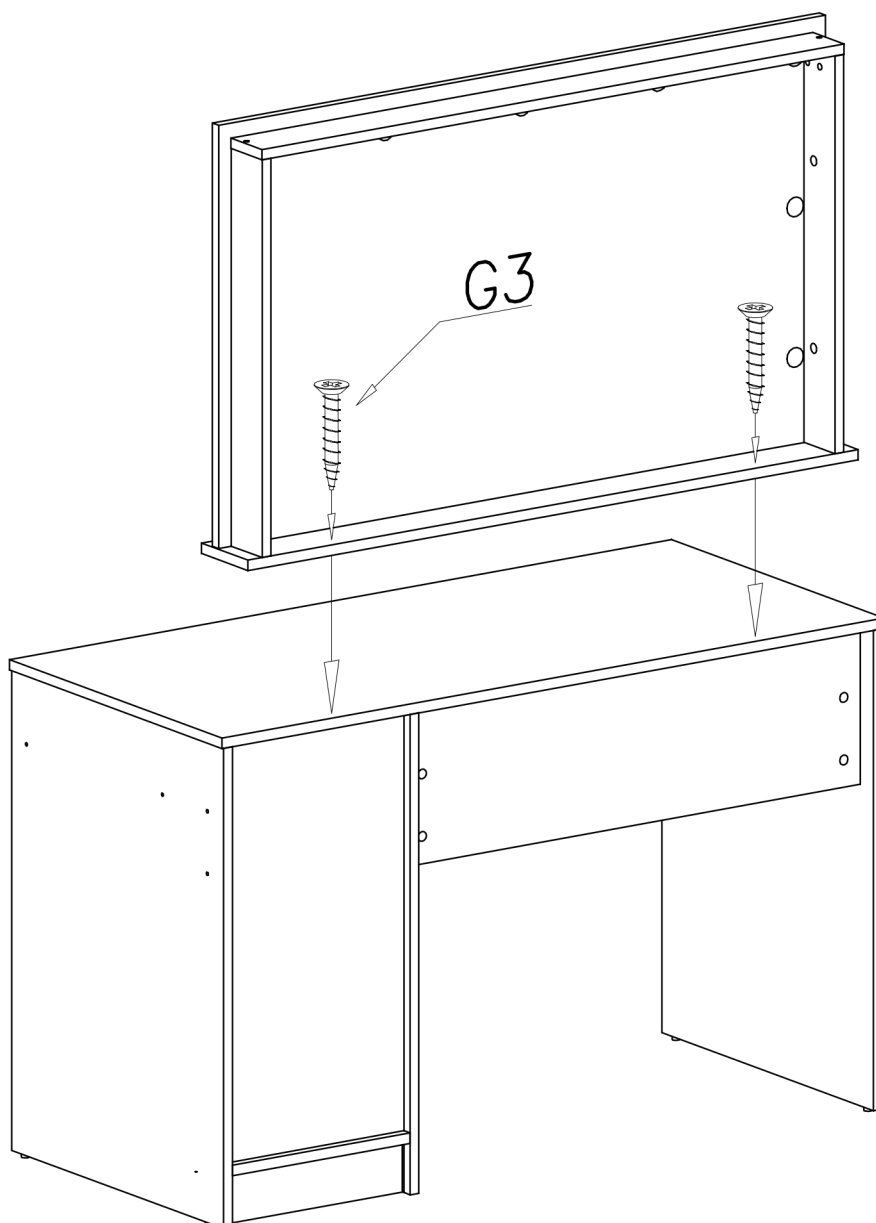
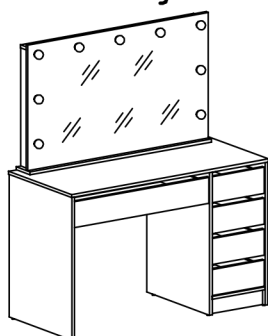


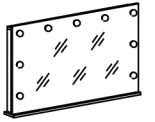
# VI



# VII

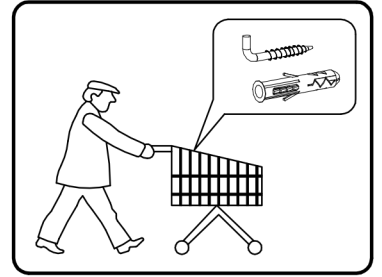
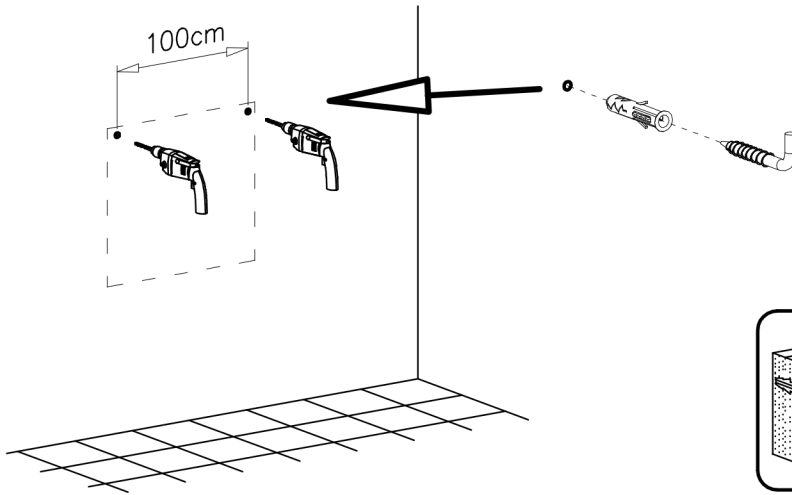
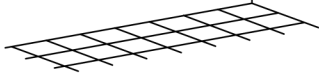
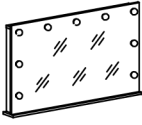
wersja A





# VIII

wersja B



# IX

